

EPBT-250-SMF-001

BIAS TEE

REV 1.0.0

FEATURES

- Broadband
- Low insertion loss
- Small package size
- SMA Connectors
- Lead-Free, RoHS compliant

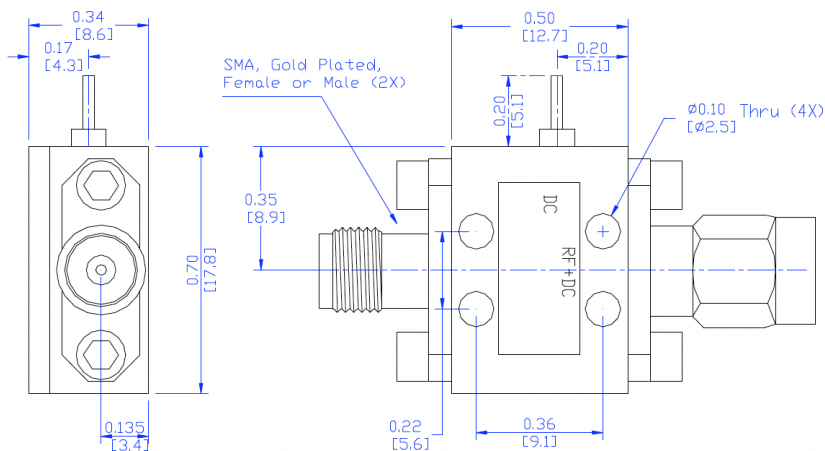


SPECIFICATIONS

FREQ	PART NUMBER	INSERTION LOSS (dB)	VSWR	POWER (W)	DC CURRENT (mA)	DC VOLTAGE (V)	Temp (°C)	CONNECTOR
100 KHz ~ 500 MHz	EPBT-250-SMF-001	0.5 typical 0.7 max	≤1.5	20	170	50	-54 to +85°C	SMA – M/F

All specifications are subject to change without notice.

MECHANICAL OUTLINE



Unit: INCH Base Material: Brass
[mm] Finish: Gold Plating
Tolerance: X.XX ±0.01"