

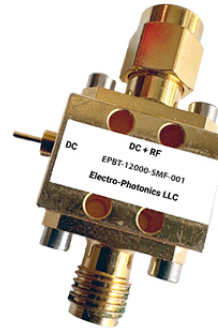
EPBT-12000-SMF-001

BIAS TEE

REV 1.0.0

FEATURES

- Broadband
- Low insertion loss
- Small package size
- SMA Connectors
- Lead-Free, RoHS compliant

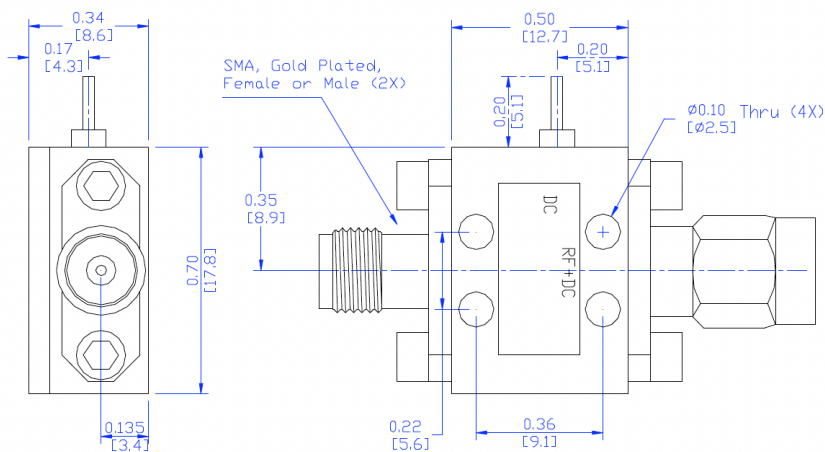


SPECIFICATIONS

FREQ	PART NUMBER	INSERTION LOSS (dB)	VSWR	POWER (W)	DC CURRENT (mA)	DC VOLTAGE (V)	Temp (°C)	CONNECTOR
30 MHz ~ 24 GHz	EPBT-12000-SMF-001	≤ 0.8	≤ 1.5	20	500	25	-54 to +85°C	SMA - M/F

All specifications are subject to change without notice.

MECHANICAL OUTLINE



Unit: INCH Base Material: Brass
[mm] Finish: Gold Plating
Tolerance: X.XX ±0.01"