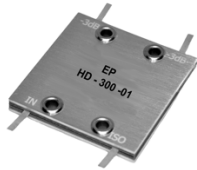




# HD-300-01

3dB 90° DROP-IN HYBRID COUPLER

REV 1.0.0



## APPLICATIONS

- Signal Splitting/Combining
- Amplifier Circuit
- Analog Variable Attenuators
- Microwave Mixers

## FEATURES

- Broadband RF performance
- Low insertion loss
- High power handling
- Low amplitude balance

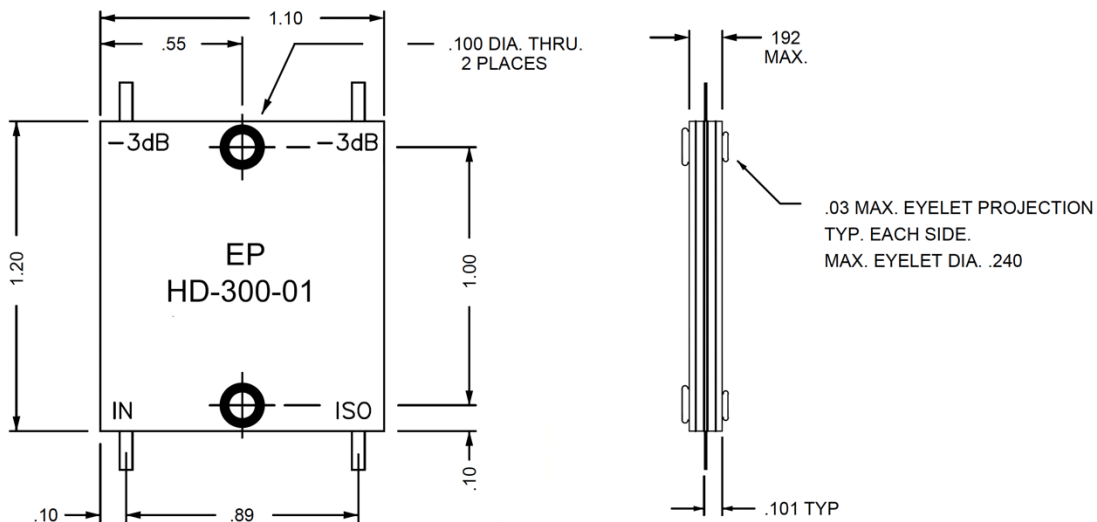
## SPECIFICATIONS

| FREQ (MHz) | POWER (W) | PART NUMBER      | INSERTION LOSS (dB) | AMPLITUDE BALANCE (dB) | ISOLATION (dB) | VSWR | PHASE BALANCE | OPERATING TEMP (°C) |
|------------|-----------|------------------|---------------------|------------------------|----------------|------|---------------|---------------------|
| 200 - 400  | 400       | <b>HD-300-01</b> | 0.25                | ± 0.3                  | 18 min         | 1.25 | ± 4           | -55 to 85           |

Specifications are subject to change without notice.

## MECHANICAL OUTLINE

\* Dimensions are inches



### Notes:

2. FINISH: CHEM-COVERSION, CLEAR AS PER MIL-DTL-55413.
3. SOLDER TABS: 99.99% PURE SILVER .150" L x .045" W x .005" T
4. EYELETS, SATAINLESS STEEL OR BRASS NICKEL PLATED QQ-N-290