

HD-2500-01

3dB 90° DROP-IN HYBRID COUPLER

REV 1.0.0



APPLICATIONS

- Signal Splitting/Combining
- Amplifier Circuit
- Analog Variable Attenuators
- Microwave Mixers

FEATURES

- Broadband RF performance
- Low insertion loss
- High power handling
- Low amplitude balance

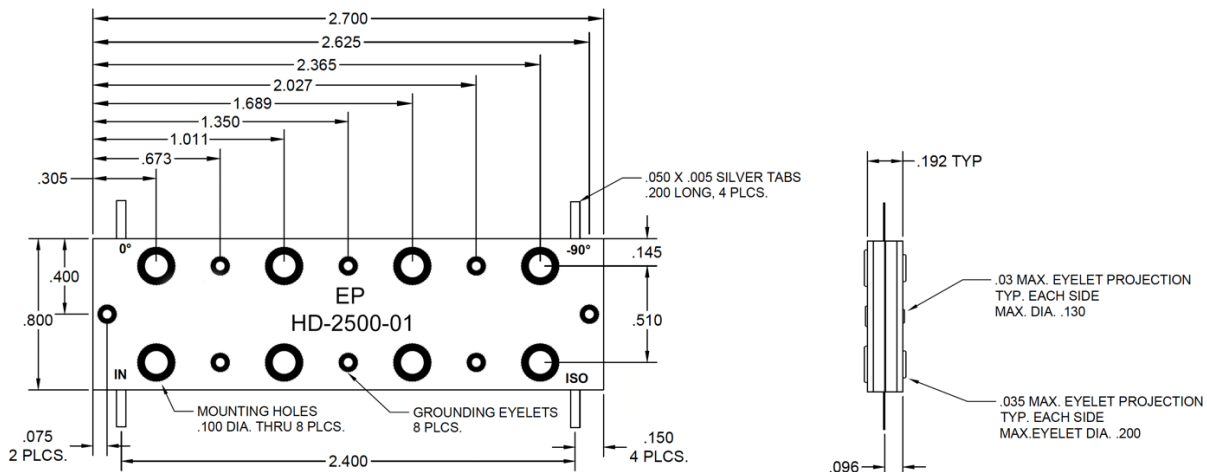
SPECIFICATIONS

FREQ (MHz)	POWER (W)	PART NUMBER	INSERTION LOSS (dB)	AMPLITUDE BALANCE (dB)	ISOLATION (dB)	VSWR	PHASE BALANCE	OPERATING TEMP (°C)
800-4200	250	HD-2500-01	0.25	± 0.5	15 min	1.35	± 3	-55 to 85

Specifications are subject to change without notice.

MECHANICAL OUTLINE

* Dimensions are inches



Notes:

2. FINISH: CHEM-COVERSION, CLEAR AS PER MIL-DTL-55413.
3. SOLDER TABS: 99.99% PURE SILVER .150" L x .050" W x .005" T
4. EYELETS, SATAINLESS STEEL OR BRASS NICKEL PLATED QQ-N-290