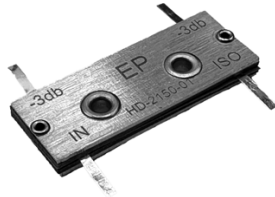




# HD-2150-01

3dB 90° DROP-IN HYBRID COUPLER

REV 1.0.0



## APPLICATIONS

- Signal Splitting/Combining
- Amplifier Circuit
- Analog Variable Attenuators
- Microwave Mixers

## FEATURES

- Broadband RF performance
- Low insertion loss
- High power handling
- Low amplitude balance

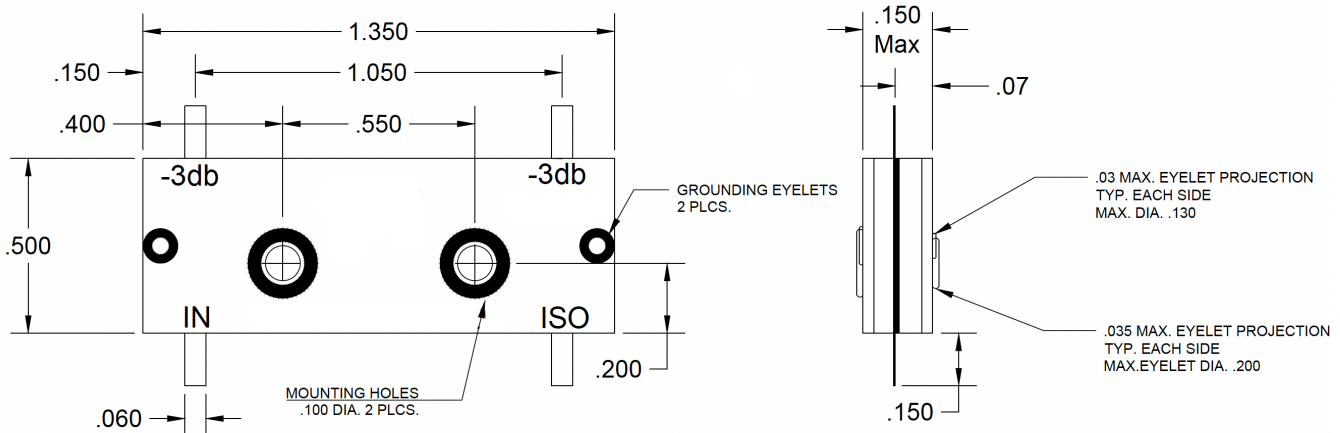
## SPECIFICATIONS

FREQ (MHz)	POWER (W)	PART NUMBER	INSERTION LOSS (dB)	AMPLITUDE BALANCE (dB)	ISOLATION (dB)	VSWR	PHASE BALANCE	OPERATING TEMP (°C)
1300-3000	250	<b>HD-2150-01</b>	0.5	± 0.75	18 min	1.30	± 4	-55 to 85

Specifications are subject to change without notice.

## MECHANICAL OUTLINE

\* Dimensions are inches



### Notes:

2. FINISH: CHEM-COVERSION, CLEAR AS PER MIL-DTL-55413.
3. SOLDER TABS: 99.99% PURE SILVER .150" L x .060" W x .005" T
4. EYELETS, SATAINLESS STEEL OR BRASS NICKEL PLATED