

EPWG-C-8R2-12R4- 01

Waveguide to Coaxial Adapter

REV 1.0.0

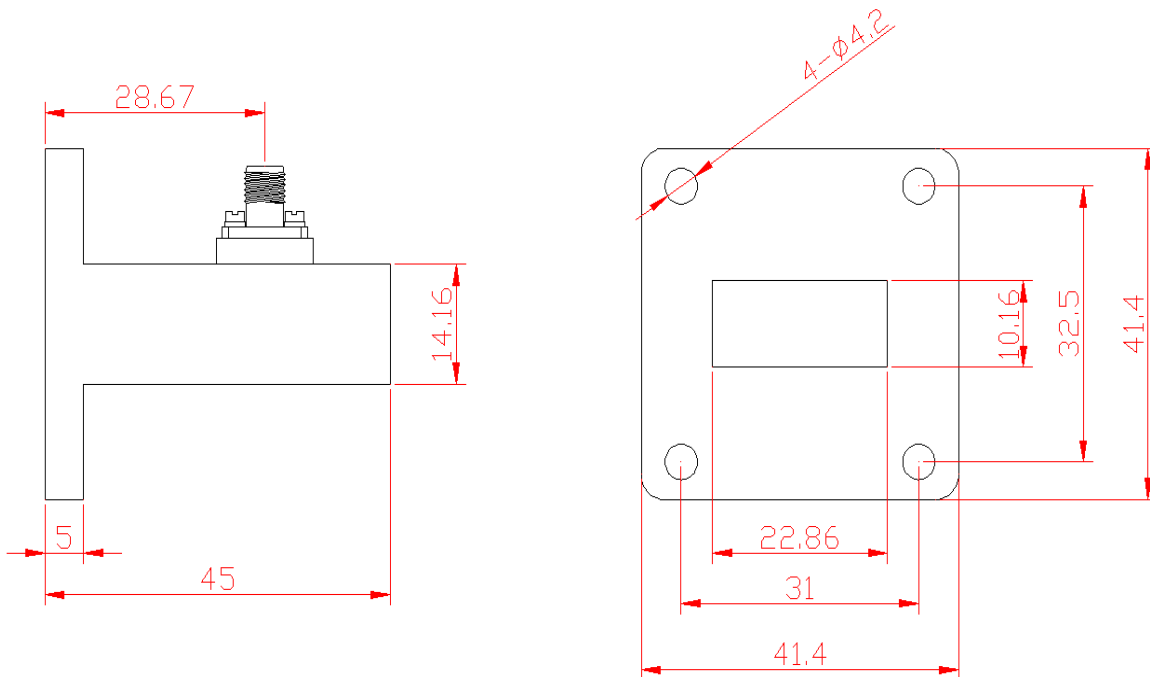
SPECIFICATIONS

FREQ (GHz)	PART NUMBER	INSERTION LOSS (dB)	VSWR	POWER (W)	Temp (°C)	CONNECTOR	FLANGE
8.2 – 12.4	EPWG-C-8R2-12R4- 01	≤ 0.25	≤ 1.20	60	-30 to +70°C	SMA-Female	WR90

All specifications are subject to change without notice.

MECHANICAL OUTLINE

* Dimensions are mm (Tolerance: (±0.15 mm))



Notes:

1. Material: Aluminum