

# EPWG-C-18-26R5- 01

Waveguide to Coaxial Adapter

REV 1.0.0

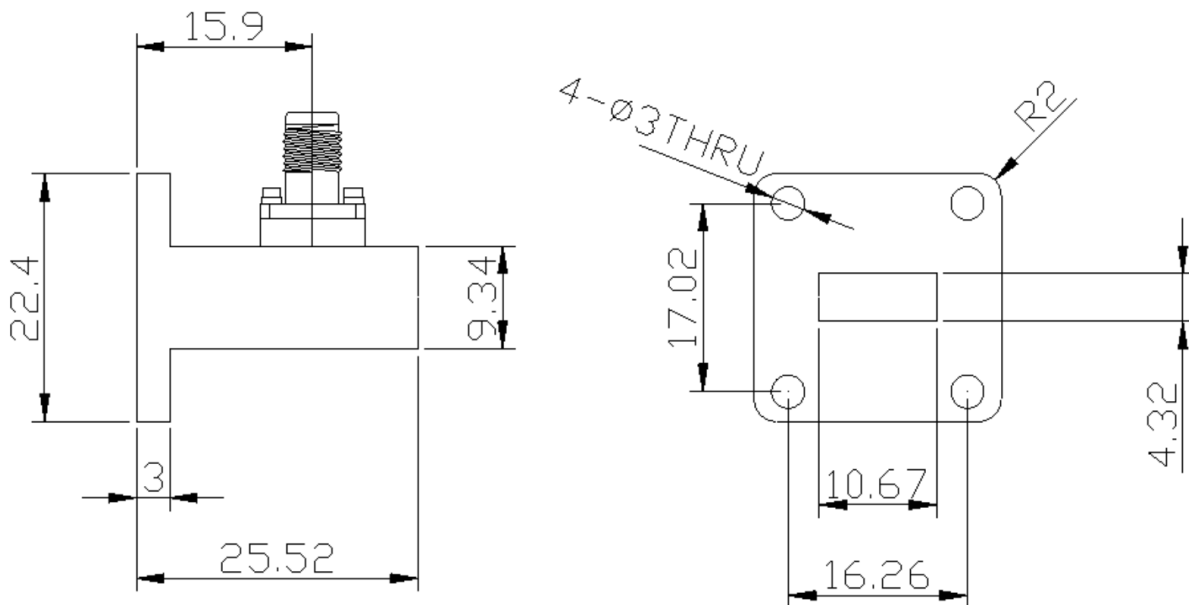
## SPECIFICATIONS

FREQ (GHz)	PART NUMBER	INSERTION LOSS (dB)	VSWR	POWER (W)	Temp (°C)	CONNECTOR	FLANGE
18 - 26.5	EPWG-C-8R2-12R4- 01	≤ 0.25	≤ 1.20	20	-30 to +70°C	2.92 - Female	WR42

All specifications are subject to change without notice.

## MECHANICAL OUTLINE

\* Dimensions are mm (Tolerance:  $\pm 0.1$  mm)



Notes:

1. Material: Brass
2. Finish: Gold plated