

EPCI-3300-3800-D

DROP-IN CIRCULATOR – DIRECTION CW

REV 1.0.0

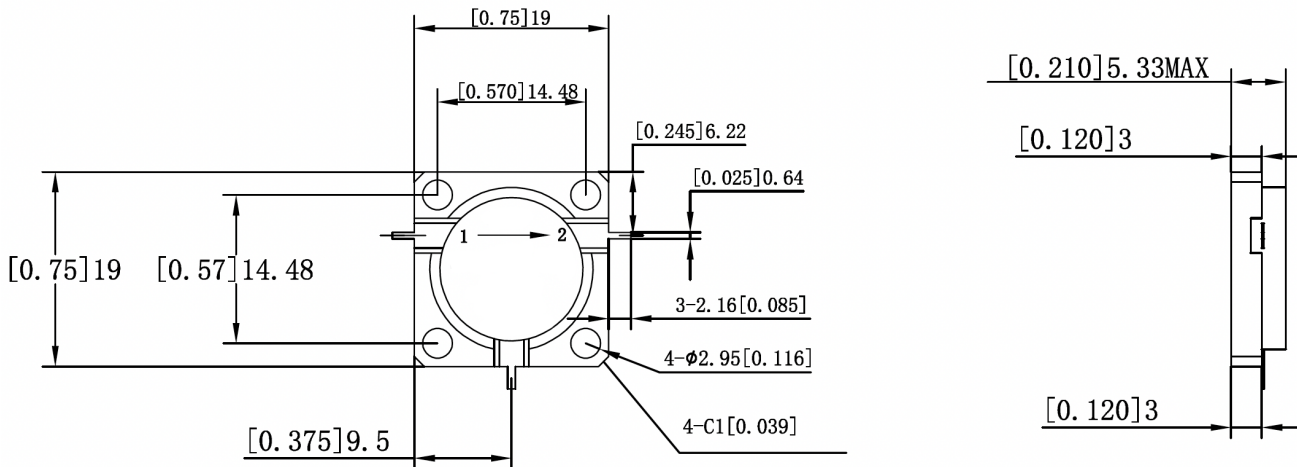
SPECIFICATIONS

FREQ (MHz)	PART NUMBER	INSERTION LOSS (dB)	ISOLATION (dB)	VSWR	POWER (W)	OPERATING TEMP (°C)	IMEDANCE (Ω)
3300-3800	EPCI-3300-3800-D	0.40 0.50	21 min 18 min	1.20: 1 1.33: 1	100	25 ± 5 - 40 to + 85	50

All specifications are subject to change without notice.

MECHANICAL OUTLINE

* Dimensions are mm [inch]



Notes:

1. Tolerances: ± 0.20mm

2. Material:
Body: Steel
Tab: BeCu

3. Surface Finish:
Body: Nickel Plated
Tab: Silver Plated

4. RoHS compliant