



EPCI-8000-12000-MC

MICROSTRIP CIRCULATOR

REV 1.0.0

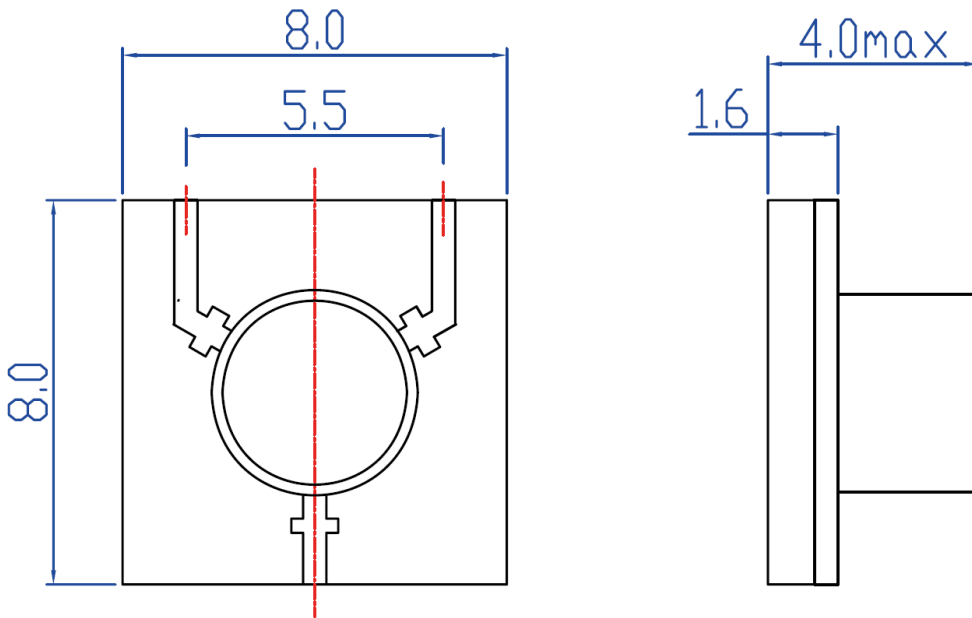
SPECIFICATIONS

FREQ (GHz)	PART NUMBER	INSERTION LOSS (dB) max	ISOLATION (dB) min	VSWR (max)	POWER (W)	OPERATING TEMP (°C)	IMEDANCE (Ω)
8 - 12	EPCI-8000-12000-MC	0.6	17	1.35	20	-55 to +85	50

All specifications at 25C and are subject to change without notice.

MECHANICAL OUTLINE

* Dimensions are mm



Notes:

- 1. Wire bondable terminals