



# EPCI-6500-7100- MC

ELECTRO - PHOTONICS

MICROSTRIP CIRCULATOR

REV 1.0.0

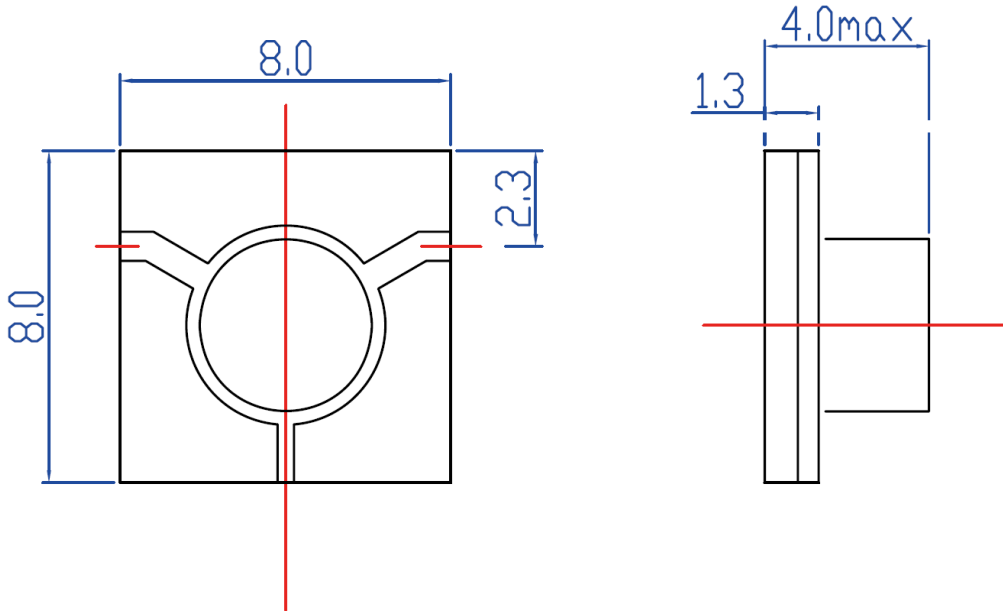
## SPECIFICATIONS

FREQ (GHz)	PART NUMBER	INSERTION LOSS (dB) max	ISOLATION (dB) min	VSWR (max)	POWER (W)	OPERATING TEMP (°C)	IMEDANCE ( $\Omega$ )
6.5-7.1	<b>EPCI-6500-7100- MC</b>	0.5	18	1.3	30	-55 to +85	50

All specifications at 25C and are subject to change without notice.

## MECHANICAL OUTLINE

\* Dimensions are mm



Notes:

- 1. Wire bondable terminals