

# EPCI-2496-2690-SMT5

SMT CIRCULATOR

REV 1.0.0

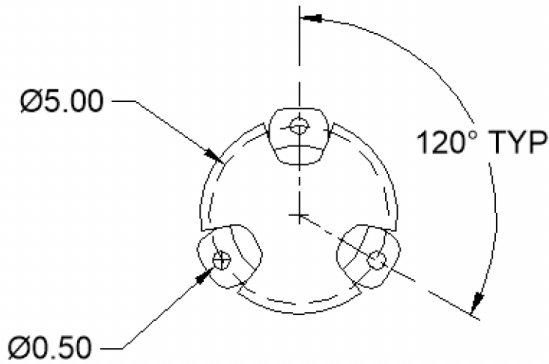
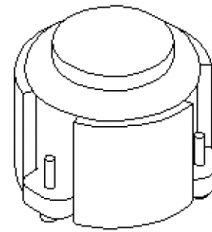
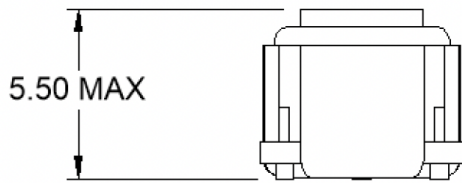
## SPECIFICATIONS

FREQ (MHz)	PART NUMBER	INSERTION LOSS (dB)	ISOLATION (dB)	VSWR	POWER (W)	OPERATING TEMP (°C)	IMPEDANCE (Ω)
2496-2690	<b>EPCI-2496-2690-SMT5</b>	0.75	13	1.57	20	-40 to +110	50

All specifications are subject to change without notice.

## MECHANICAL OUTLINE

\* Dimensions are *mm*



Notes:

1. Tolerances: ±0.20mm
2. Coplanarity specification: 0.10mm maximum
3. Pins and housing are silver (Ag) plated
4. Reflow Temp: 260°C max for 10 seconds