

# EPCI-2300-2400-SMT

SMT CIRCULATOR

REV 1.0.0

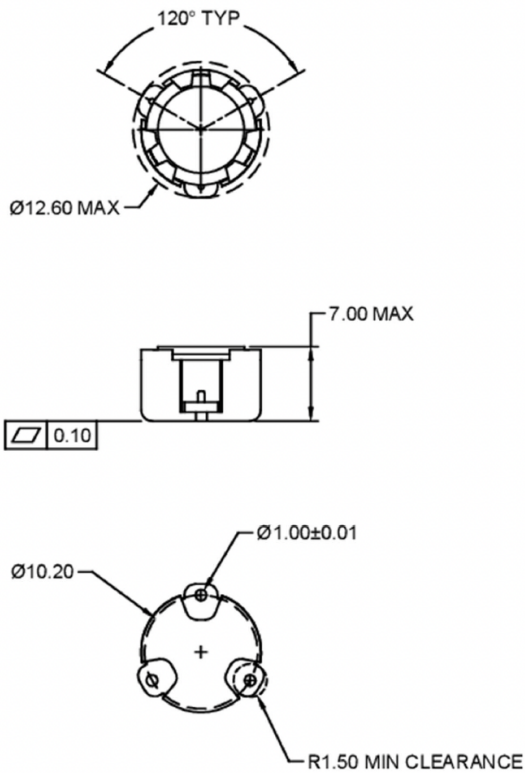
## SPECIFICATIONS

FREQ (MHz)	PART NUMBER	INSERTION LOSS (dB)	ISOLATION (dB)	VSWR	POWER (W)	OPERATING TEMP (°C)	IMPEDANCE (Ω)
2300-2400	<b>EPCI-2300-2400-SMT</b>	0.3	21	1.2	100	-40 to +125	50

All specifications are subject to change without notice.

## MECHANICAL OUTLINE

\* Dimensions are *mm*



Notes:

1. Tolerances:  $\pm 0.20$ mm
2. Coplanarity specification: 0.10mm maximum
3. Pins and housing are silver (Ag) plated
4. Reflow Temp: 260°C max for 10 seconds