



EPCI-19500-23000-MC

MICROSTRIP CIRCULATOR

REV 1.0.0

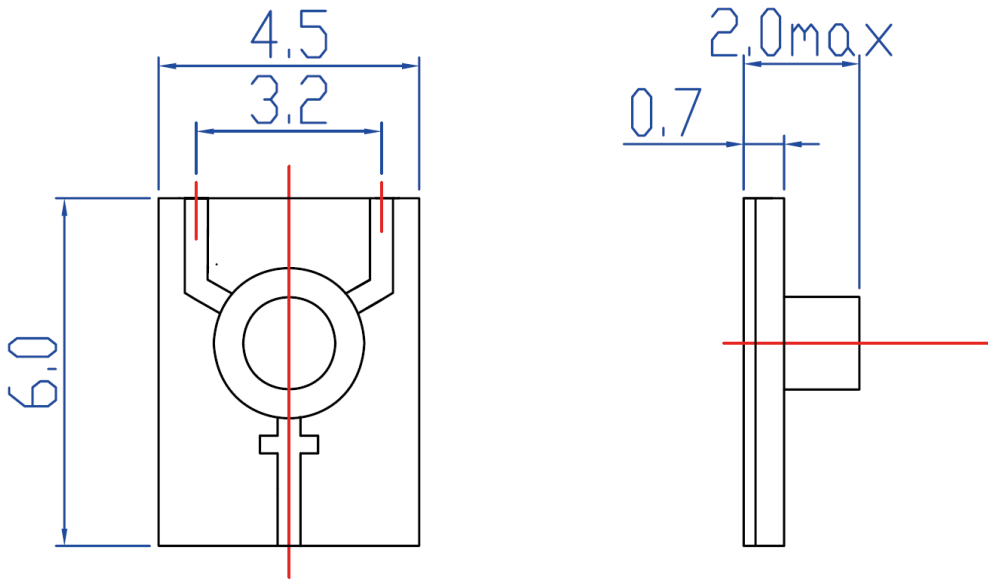
SPECIFICATIONS

FREQ (GHz)	PART NUMBER	INSERTION LOSS (dB) max	ISOLATION (dB) min	VSWR (max)	POWER (W)	OPERATING TEMP (°C)	IMPEDANCE (Ω)
19.5 – 23	EPCI-19500-23000-MC	0.8	15	1.4	5	-55 to +85	50

All specifications at 25C and are subject to change without notice.

MECHANICAL OUTLINE

* Dimensions are mm



Notes:

- 1. Wire bondable terminals