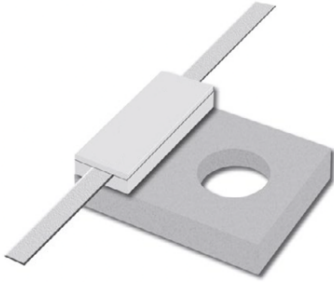


# EPFR-300-B10-XXX

BeO Flange Resistor

REV 1.0.0

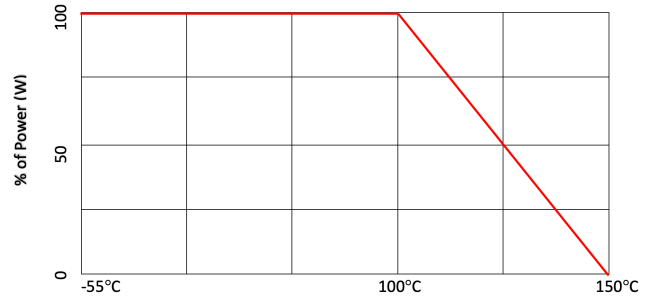
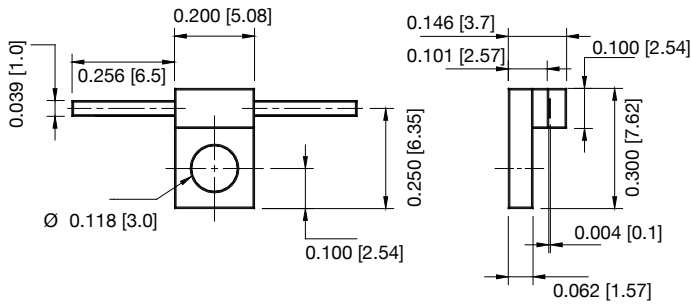


## SPECIFICATIONS

- Substrate Material: BeO
- Resistive Film: Thick Film
- Tabs material /Finish: Ag
- Flange Material: Nickel Plated Copper (Cu/Ni)
- Cover substrate: Alumina
- Frequency: DC - 4GHz
- Capacitance: 0.8 pF
- Input Power: 10W
- Standards: MIL-DTL-39030
- Lead-Free, RoHS compliant

## MECHANICAL OUTLINE

## POWER DERATING



Dimension: inch [mm]

## ORDERING INFO

Model	Material	Power (W)	Standard Resistance* ( $\Omega$ )	Tolerance
EPFR	B = BeO	10	50 75 100 200 220	$\pm 5\%$

\*Other values available upon request

Example: EPFR-300-B10-100 (100  $\Omega$ , 5%)