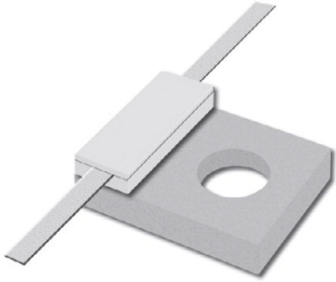


EPFA-300-B10-XXX

BeO Flange Attenuator

REV 1.0.0

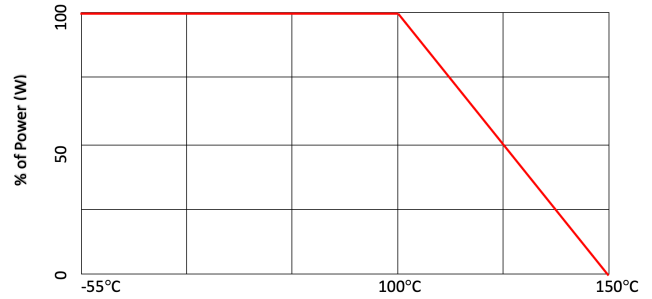
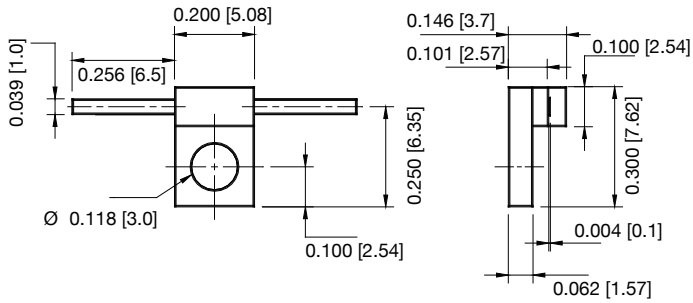


SPECIFICATIONS

- Substrate Material: BeO
- Resistive Film: Thick Film
- Tabs material /Finish: Ag
- Flange Material: Nickel Plated Copper (Cu/Ni)
- Cover substrate: Alumina
- Frequency: DC - 4GHz
- Input Power: 10W
- Standards: MIL-DTL-3933
- Lead-Free, RoHS compliant

MECHANICAL OUTLINE

POWER DERATING



Dimension: inch [mm]

ORDERING INFO

Attenuation* (dB)	Attenuation Accuracy (± dB)	VSWR
1	0.4	1.25
3	0.4	1.25
6	0.5	1.25
10	1.0	1.25
20	1.2	1.25
30	1.5	1.25

*Other values available upon request

Example: EPFA-300-B10-3 (3dB)