

# EPAC-60-XX-NM

Coaxial Attenuator

REV 1.0.0

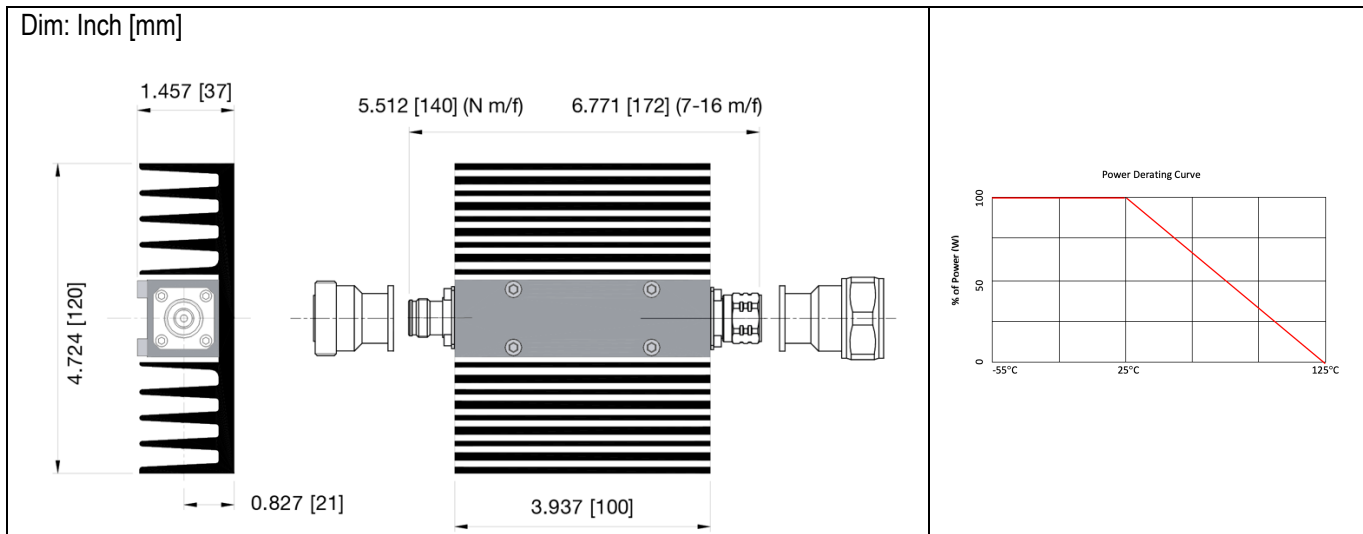
## SPECIFICATIONS

- Frequency: DC – 6 GHz
- Power: 60 W
- VSWR: 1.30 max
- Impedance:  $50\Omega \pm 5\%$
- Connector: Type-N, male/female or 7-16 male/female
- Temperature: -55°C to 125°C
  
- Standards: MIL-DTL-3933
- Lead-Free, RoHS certified



## MECHANICAL OUTLINE

## POWER DERATING



## ORDERING INFO

Attenuation* (dB)	Attenuation Accuracy ( $\pm$ dB)
3	0.5
6	0.5
10	1
20	1
30	1
40	1.5

\*Other values available upon request.

**Example:** EPAC-60-3-NM (3dB)

ATTENUATOR