

EPAC-40-XX-7-16

Coaxial Attenuator

REV 1.0.0

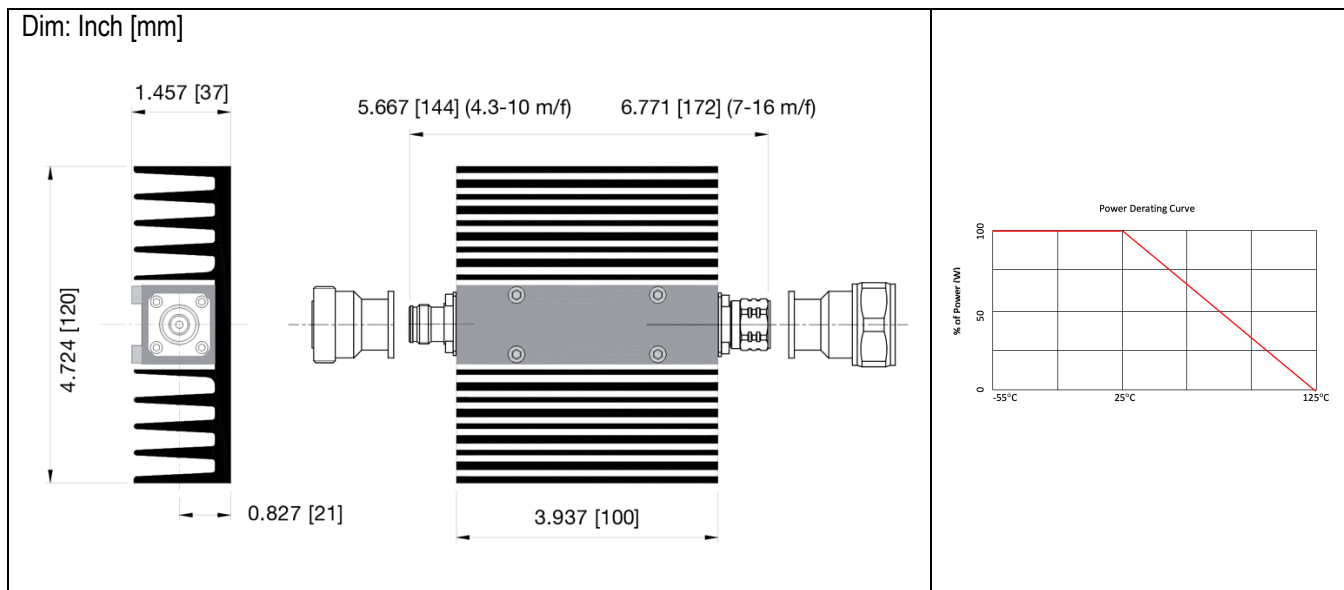
SPECIFICATIONS

- Frequency: DC – 4 GHz
- Power: 40 W
- VSWR: 1.30 max
- Impedance: $50\Omega \pm 5\%$
- Connector: 7-16, male/female or 4.3-10 male/female
- Temperature: -55°C to 125°C

- Standards: MIL-DTL-3933
- Lead-Free, RoHS certified



MECHANICAL OUTLINE



ORDERING INFO

Attenuation* (dB)	Attenuation Accuracy (\pm dB)
3	0.4
6	0.5
10	0.75
20	1
30	1

*Other values available upon request.

Example: EPAC-40-3-7-16 (3dB)