

EPAC-100-XX-NM

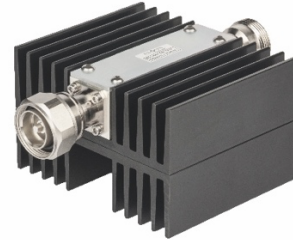
Coaxial Attenuator

REV 1.0.0

SPECIFICATIONS

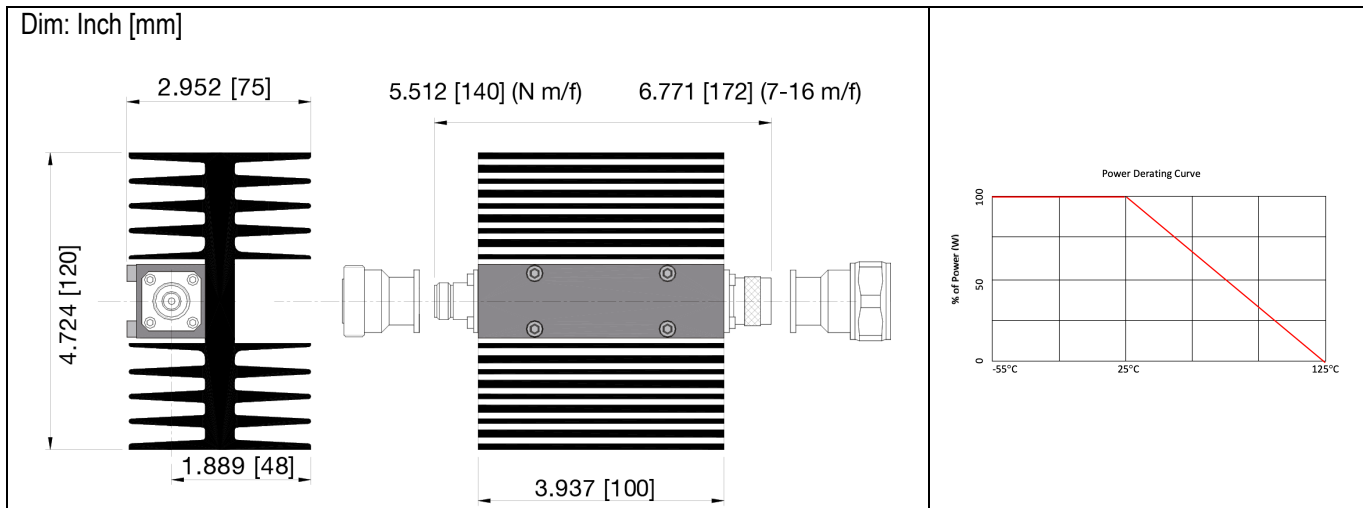
- Frequency: DC – 6 GHz
- Power: 100 W
- VSWR: 1.30 max
- Impedance: $50\Omega \pm 5\%$
- Connector: Type-N, male/female or 7-16 male/female
- Temperature: -55°C to 125°C

- Standards: MIL-DTL-3933
- Lead-Free, RoHS certified



MECHANICAL OUTLINE

POWER DERATING



ORDERING INFO

Attenuation* (dB)	Attenuation Accuracy (\pm dB)
3	0.5
6	0.5
10	1
20	1
30	1
40	1.5
50	1.5

*Other values available upon request.

Example: EPAC-100-3-NM (3dB)