

EP2D-4550-LTCC-001

SURFACE MOUNT 2-WAY LTCC POWER DIVIDER/COMBINER

REV 1.0.0



APPLICATIONS

- Signal splitting/combining
- Wireless communications
- Signal distribution for antenna arrays
- Defense applications

FEATURES

- No external resistor required
- Broadband 2.9 – 6.2 GHz
- Surface Mountable
- Low insertion loss
- High isolation
- RoHS compliant
- Small size: 3mm x3mm x 0.89 mm

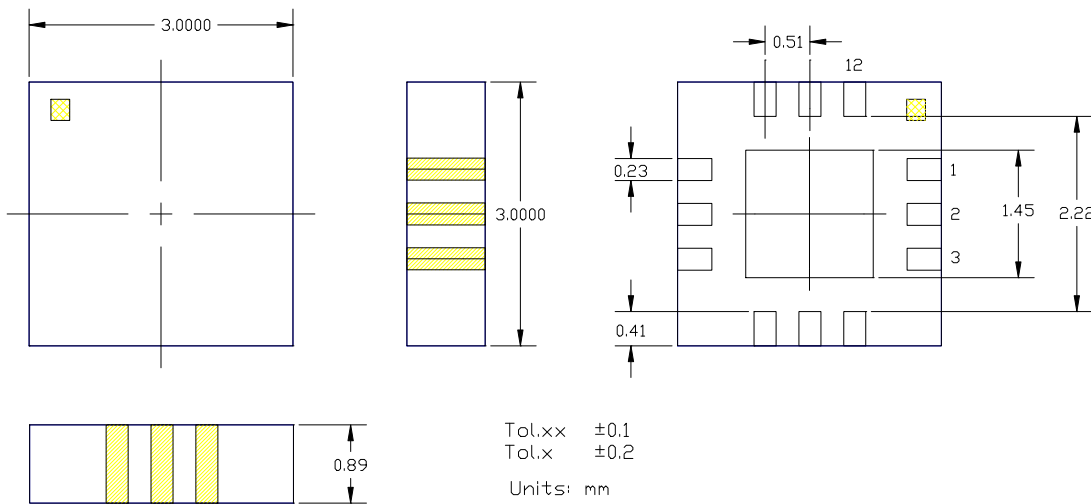
SPECIFICATIONS

TABLE 1: TYPICAL SPECIFICATIONS*

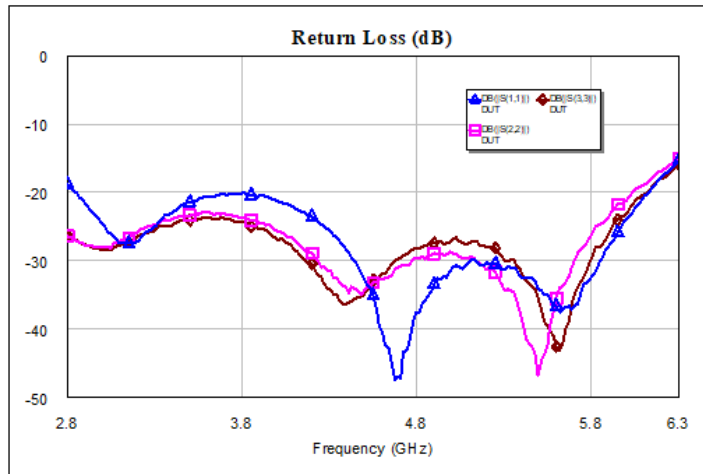
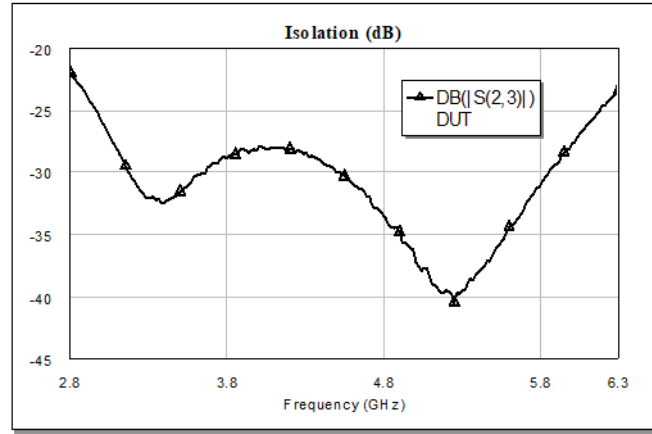
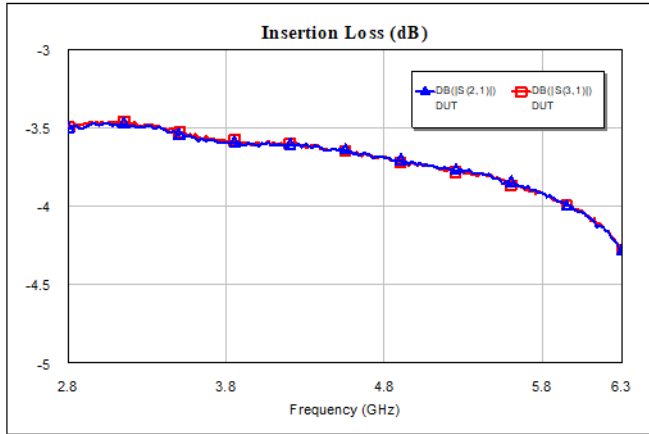
FREQ (GHz)	POWER† (W)	PART NUMBER	EXCESS LOSS (dB)	PHASE BALANCE (Deg)	ISOLATION Typical (dB)	INPUT RL (dB)	OUTPUT RL (dB)	AMPLITUDE BALANCE (dB)
2.9 - 6.2	1.5	EP2D-4550-LTCC-001	1.5 max	± 9	22	15	18	± 0.3

* Units tested with small signal using Electro-Photonics test board at 25°C. Load VSWR not to exceed 1.2:1. Specifications subject to change without notice.

MECHANICAL OUTLINE



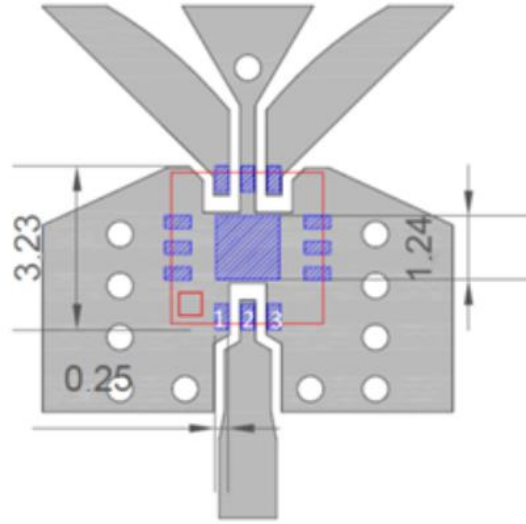
TYPICAL PERFORMANCE



Note: Data includes test board insertion loss

MOUNTING FOOTPRINT AND PIN CONNECTIONS

Recommended PCB layout on 20 mil thick RO4350B material. Land pattern design must be taken into consideration when using a different thickness and/or dielectric constant in order to achieve optimal performance.



Units: mm

SUM PORT	2
PORT 1	7
PORT 2	9
GROUND	1,3,4,5,6,8,10,11,12, center pad

Maximum Ratings

Operating Temperature	- 55°C to + 105°C
Storage Temperature	- 55°C to + 125°C

EP2D-4550-LTCC-001

SURFACE MOUNT 2-WAY LTCC POWER DIVIDER/COMBINER

REV 1.0.0

ORDERING INFO*

* Consult sales (sales@electro-photonics.com) for custom configuration, size, footprint, and/or specifications. Tape & Reel available upon request (with minimum order quantities).

E P 2 D - 4 5 5 0 - L T C C - 0 0 1

①

②

③

①

PRODUCT CODE

2-WAY POWER
SPLITTER/COMBINER

②

FREQUENCY

MHz

③

LTCC



The EP2D-4550-LTCC-001 is a lead free, RoHS compliant product.