

FBP-12000-01-SMF

Bandpass Filter, 6 to 18 GHz, 5 W

REV 1.00



The FBP-12000-01-SMF is a wide bandwidth bandpass filter that delivers exceptional performance in a small package size.

Features and Applications

- Low Insertion Loss
- High Stop Band Suppression
- Compact Size
- High Power

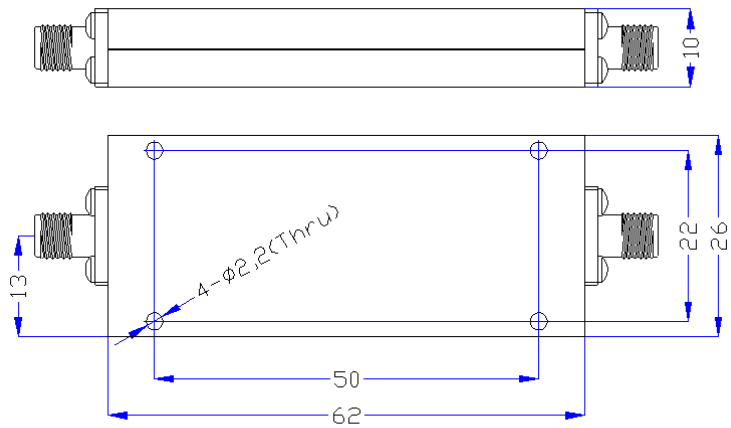
ELECTRICAL SPECIFICATIONS

PARAMETER	SPECIFICATION
CENTER FREQUENCY	12 GHz
PASSBAND FREQUENCY	6 GHz – 18 GHz
INSERTION LOSS	≤ 2.5 dB
PASSBAND VSWR	≤ 1.8:1
STOP BAND ATTENUATION	≥60 dB @ DC-5.4 GHz ≥60 dB @ 19.2 –22 GHz
IMPEDANCE	50 Ω
RF POWER	5 W

MECHANICAL SPECIFICATIONS

PARAMETER	SPECIFICATION
CONNECTORS	SMA - (F) input SMA - (F) output
WEIGHT	45 g (1.587 oz)
FINISH	BLACK PAINT

MECHANICAL OUTLINE



Units: mm

ORDERING INFO

FBP	-	12000	01	SMF
PRODUCT CODE		CENTER FREQ.		CONNECTOR
FILTER Bandpass		4000 MHz		SMA- (FEMALE)

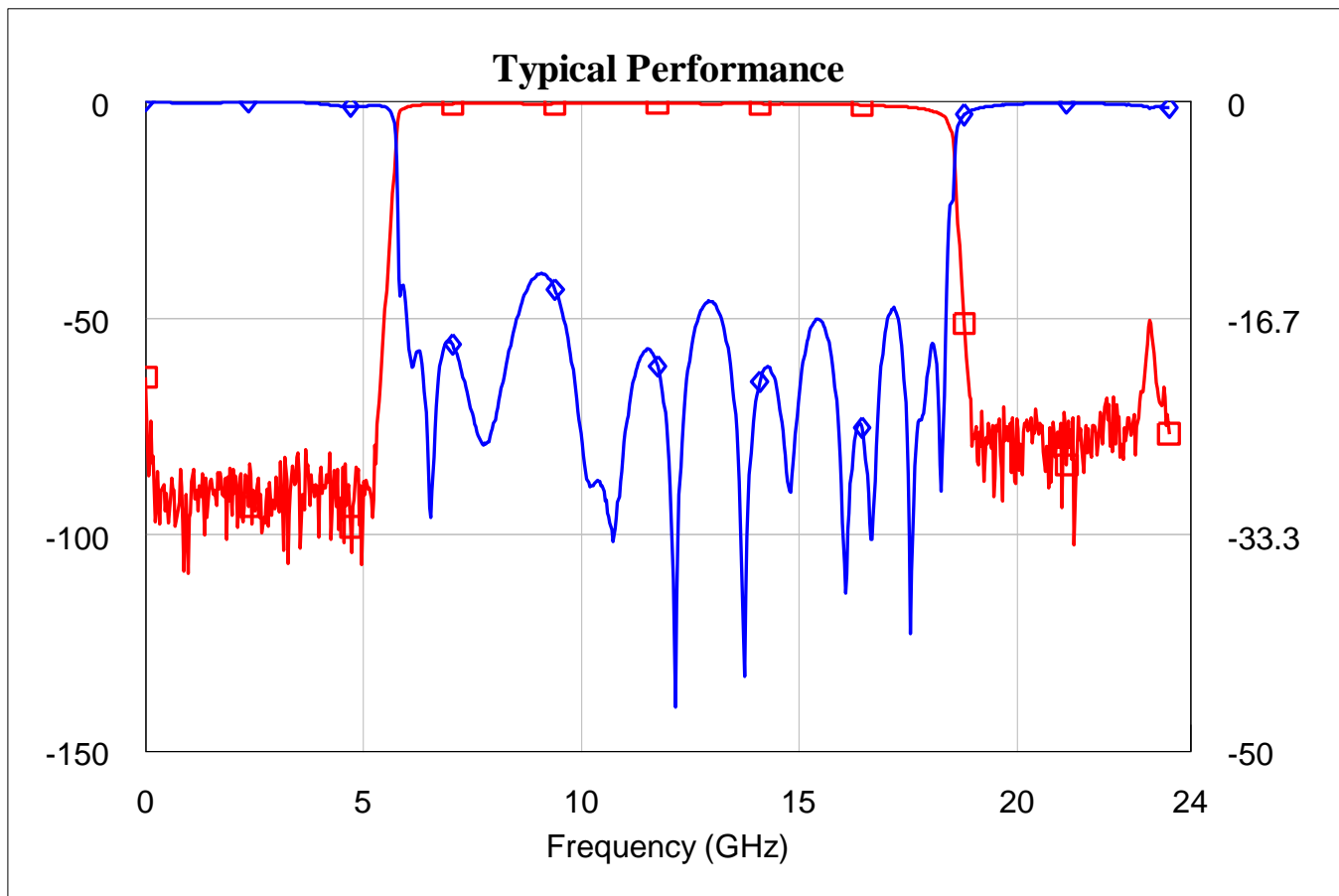
FILTERS

Electro-Photonics LLC reserves the right to modify drawings, configurations, specifications, and design at any time without prior notification.

FBP-12000-01-SMF

Bandpass Filter, 6 to 18 GHz, 5 W

REV 1.00



Electro-Photonics LLC reserves the right to modify drawings, configurations, specifications, and design at any time without prior notification.