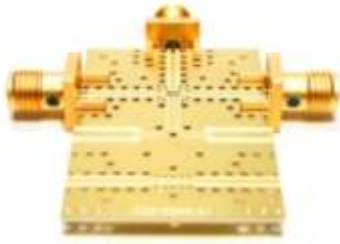


# 722-0005-01-E01

EVALUATION BOARD FOR 3-PORT DEVICE, SMA, DC-12.4GHz

REV 1.00



The 722-0005-01-E01 is a high performance RF/MW evaluation board for a 3-port device up to .075 x .050 size. Each board comes with three high performance end launch connectors that are easy to assemble; just slide-on and solder. In addition, this board is solderable and wire bondable. A DC feed line is provided for biasing and a thru is also provided for quick de-embedding. Save design time and high cost of building a whole panel.

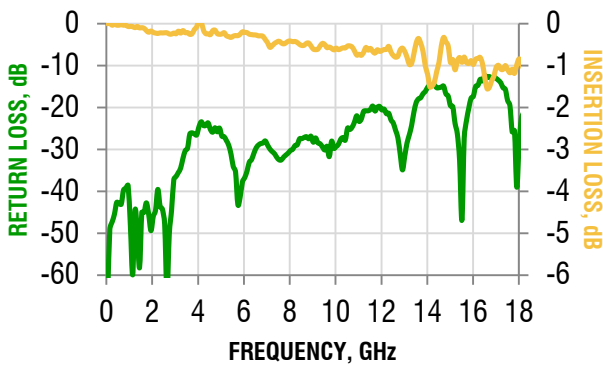
## ELECTRICAL SPECIFICATIONS

PARAMETER	SPECIFICATION
FREQUENCY RANGE	DC – 12.4 GHz
INSERTION LOSS, TYP	0.7 dB @ 12.4 GHz
VSWR, TYP	<1.20:1 to 12.4 GHz

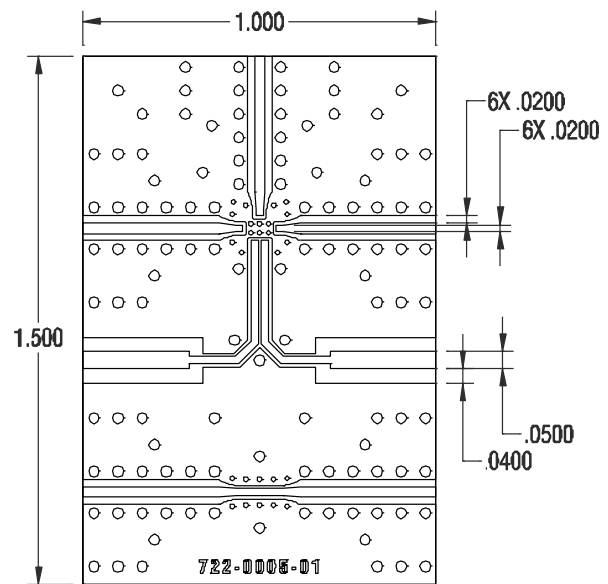
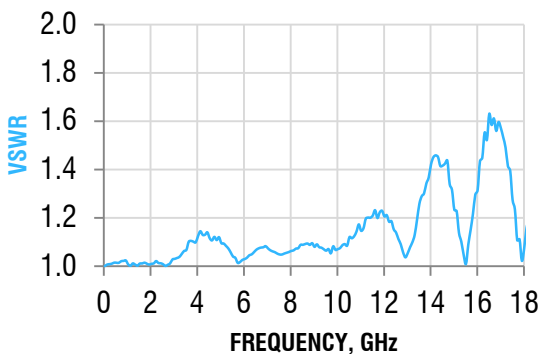
## MECHANICAL SPECIFICATIONS

PARAMETER	SPECIFICATION
MATING INTERFACE	SMA (F)
TEMPERATURE RANGE	-45 TO +125 °C
BOARD MATERIAL	TMM6
BOARD THICKNESS	.025
COPPER WEIGHT	½ OZ
FINISH	ENEPIG

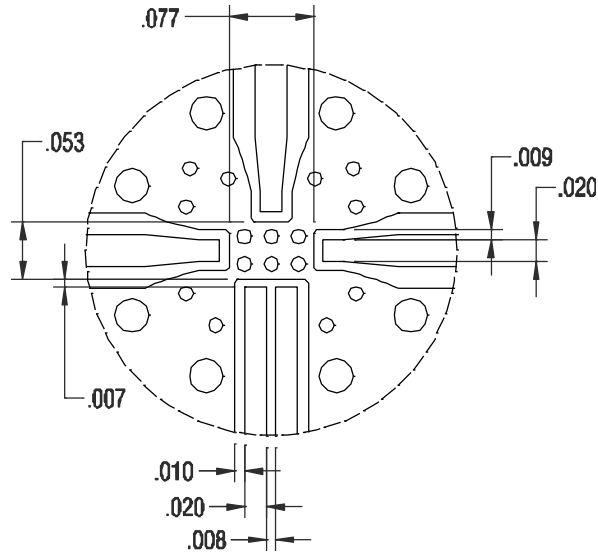
### RETURN LOSS AND INSERTION LOSS



### VSWR



Electro-Photonics LLC reserves the right to modify drawings, configurations, specifications, and design at any time without prior notification.



## ORDERING INFO

<b>722</b>	-	<b>0005-01</b>	-	<b>E01</b>
PRODUCT		BOARD		CONFIG
		.075 x .050 CHIP		3x SMA

Electro-Photonics LLC reserves the right to modify drawings, configurations, specifications, and design at any time without prior notification.