

4

3

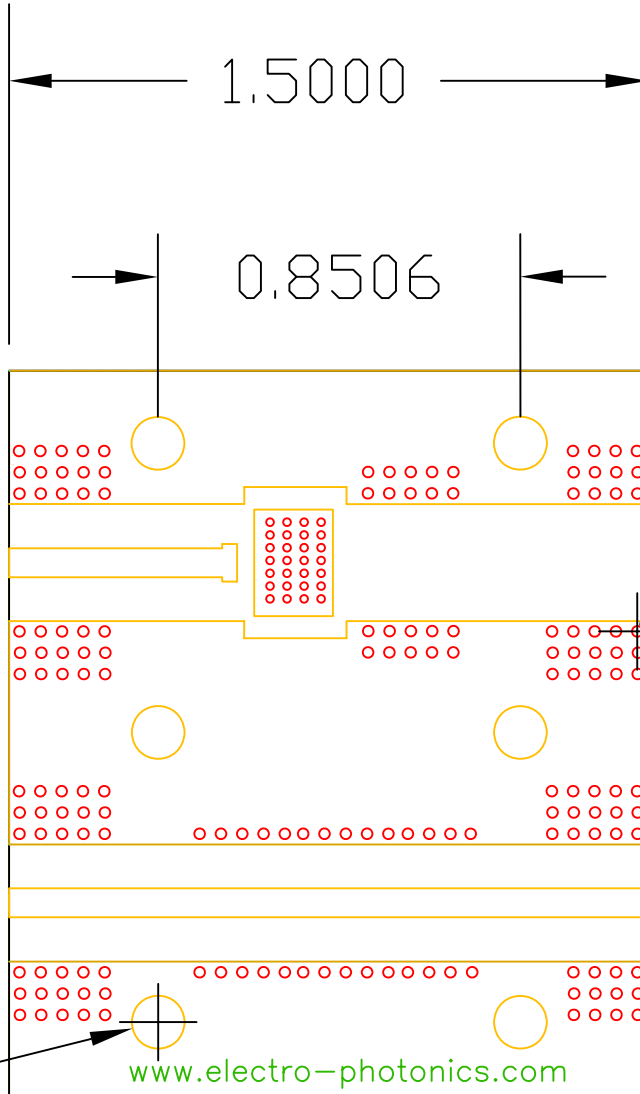
2

1

REVISIONS				
ZONE	REV	DESCRIPTION	DATE	APPROVED

Notes:

- 1. Layer 1: Taconic RF-35A2, T=30mil (0.762mm)
Layer 2: Gnd Plane, 1/2oz Cooper (t=0.7mil)
- 2. Microstrip:
Zo=50 Ohm, Er=3.5, W=68mil (1.72mm)



Ø0.0250

1.7000

Ø0.1240

www.electro-photonics.com

Electro-Photonics LLC

45-0010S-A1-R12

Date: 3/14/2009	SIZE	FSCM NO.	DWG NO.	REV
Units: Inch (mm)	SCALE 1:1	SHEET		A

4

3

2

1

D

C

B

A

D

C

B

A