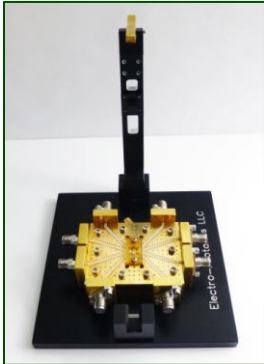


# FRFS-TSSOP8-001

For devices in standard TSSOP-8 package

REV 1.00

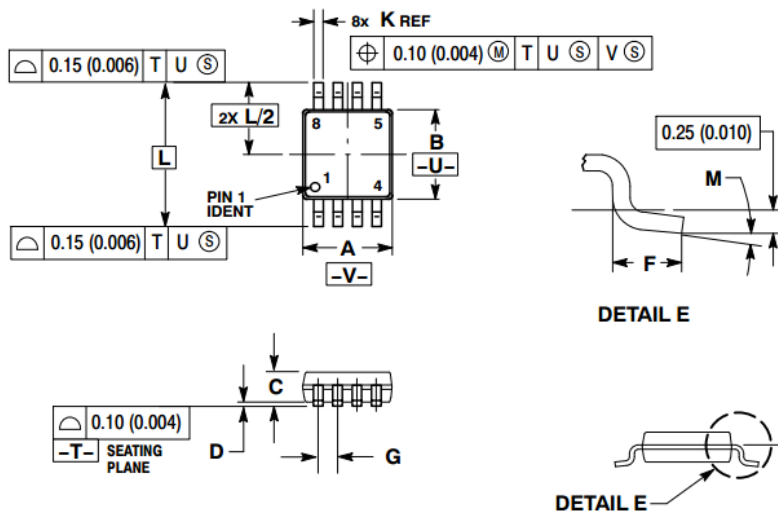


The FRFS-TSSOP8-001 is a high performance RF/Microwave production type fixture for testing various devices in standard TSSOP-8 package. This fixture is constructed to provide repeatable measurements in production environment. The FRFS-TSSOP8-001 test fixture features a fast load/unload clamshell type cover.

## ELECTRICAL/ MECHANICAL SPECIFICATIONS

PARAMETER	SPECIFICATION*
FREQUENCY RANGE	DC - 3 GHz
RF PORTS	6
NITROGEN PORT	1
RL	23 dB min
TEMPERATURE RANGE	-40°C - 85°C
MATING INTERFACE	SMA JACK (FEMALE)

## DUT FOOTPRINT



**NOTES:**

1. DIMENSIONING AND TOLERANCING PER ANSI Y14.5M, 1982.
2. CONTROLLING DIMENSION: MILLIMETER.
3. DIMENSION A DOES NOT INCLUDE MOLD FLASH, PROTRUSIONS OR GATE BURRS. MOLD FLASH OR GATE BURRS SHALL NOT EXCEED 0.15 (0.006) PER SIDE.
4. DIMENSION B DOES NOT INCLUDE INTERLEAD FLASH OR PROTRUSION. INTERLEAD FLASH OR PROTRUSION SHALL NOT EXCEED 0.25 (0.010) PER SIDE.
5. TERMINAL NUMBERS ARE SHOWN FOR REFERENCE ONLY.
6. DIMENSION A AND B ARE TO BE DETERMINED AT DATUM PLANE -W-.

DIM	MILLIMETERS		INCHES	
	MIN	MAX	MIN	MAX
A	2.90	3.10	0.114	0.122
B	2.90	3.10	0.114	0.122
C	0.80	1.10	0.031	0.043
D	0.05	0.15	0.002	0.006
F	0.40	0.70	0.016	0.028
G	0.65 BSC		0.026 BSC	
K	0.25	0.40	0.010	0.016
L	4.90 BSC		0.193 BSC	
M	0°	6°	0°	6°

Electro-Photonics LLC reserves the right to modify drawings, configurations, specifications, and design at any time without prior notification.

2740 SW Martin Downs Blvd, #122 ▪ Palm City, FL 34990 ▪ 772-485-0927

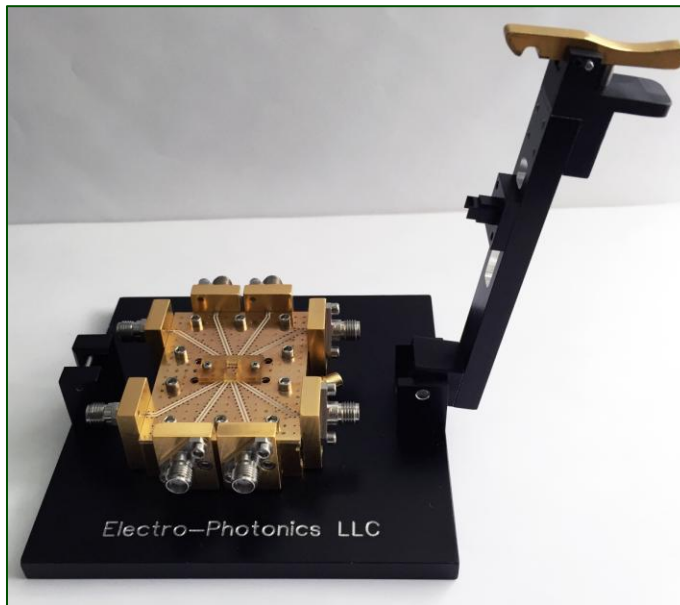
SALES@ELECTRO-PHOTONICS.COM ▪ WWW.ELECTRO-PHOTONICS.COM

# FRFS-TSSOP8-001

For devices in standard TSSOP-8 package

REV 1.00

## GALLERY



Electro-Photonics LLC reserves the right to modify drawings, configurations, specifications, and design at any time without prior notification.

# FRFS-TSSOP8-001



For devices in standard TSSOP-8 package

REV 1.00

## CUSTOMIZATION

The FRFS-TSSOP8-001 can be customized for number of similar DUT's in this or similar package. In addition, Electro-Photonics can design a custom solution per your requirements.

Please consult sales [sales@electro-photonics.com](mailto:sales@electro-photonics.com) to discuss customization options.

## ORDERING INFO

**FRFS - TSSOP8 - 001**

PRODUCT CODE

FIXTURE CODE

Electro-Photonics LLC reserves the right to modify drawings, configurations, specifications, and design at any time without prior notification.