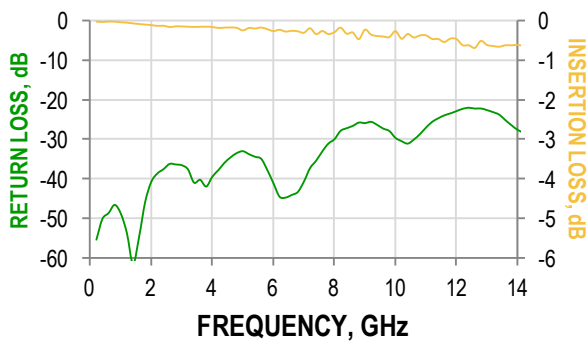


The 722-0002-01-E01 is a high performance evaluation board that is designed, tested, and ready to go! Each board comes with four end launch connectors that are easy to assemble; just slide-on and solder. A thru line is designed into the board for quick de-embedding of line losses. This board is compatible with many component manufacturers' chips. In the end, you'll save design time and high cost of building a whole panel.

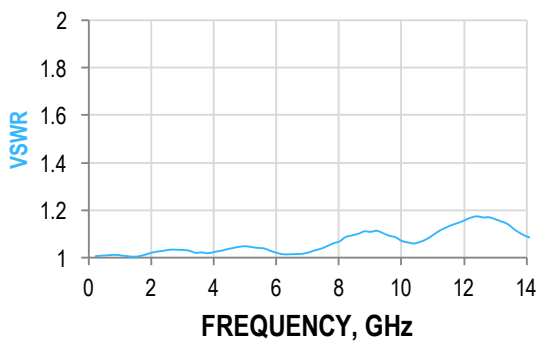
ELECTRICAL SPECIFICATIONS

PARAMETER	SPECIFICATION
FREQUENCY RANGE	DC – 8 GHz
INSERTION LOSS	0.7 dB
VSWR	1.20:1

RETURN LOSS AND INSERTION LOSS

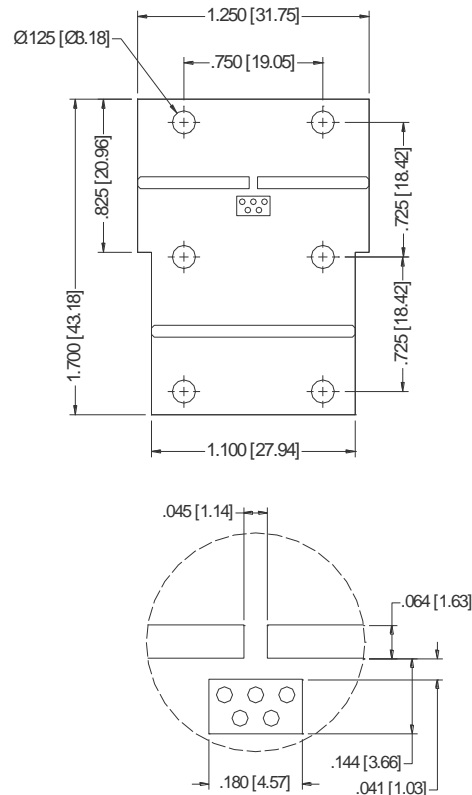


VSWR



MECHANICAL SPECIFICATIONS

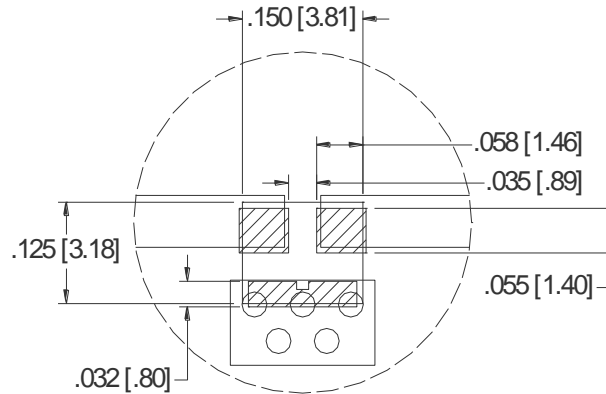
PARAMETER	SPECIFICATION
MATING INTERFACE	SMA (F)
TEMPERATURE RANGE	-45 TO +125 °C
BOARD MATERIAL	RO4350B
BOARD THICKNESS	.030
COPPER WEIGHT	1 OZ
FINISH	ENIG



Electro-Photonics LLC reserves the right to modify drawings, configurations, specifications, and design at any time without prior notification.

MOUNTING EXAMPLE

The board accommodates chip sizes $.150 \times .125$ ($.XXX \pm .010$). Many chip attenuators come in $.150 \times .125$ size. There are various styles such as a full wrap-around, ground wrap-around, and planar. Chip manufacturer normally specifies optimal mounting orientation and land pattern. Below shows an overlay of a generic attenuator footprint and outline. For those who are handy, minor board modifications is possible.



ORDERING INFO

EVALUATION BOARD

722	-	0002-01	-	E01
PRODUCT CODE		BOARD CODE		CONFIGURATION

Each evaluation board includes four connectors.



The 722-0002-01-E01 is a lead free, RoHS compliant product.