

# SMA END LAUNCH CONNECTORS

Dc -26GHz

REV 1.0.0

These precision high frequency end launch connectors are intended for use in a broad range of applications where good microstrip to coplanar waveguide (CPW) launch is required. Electro-Photonics connectors are design with excellent impedance match to 26GHz and for various circuit board thicknesses.



## APPLICATIONS

- High Frequency Evaluation Boards
- Automated test equipment
- Microwave filters
- Amplifiers

## FEATURES

- Precision machined
- Repeatable measurements
- Excellent RF performance to 26GHz
- RoHS compliant

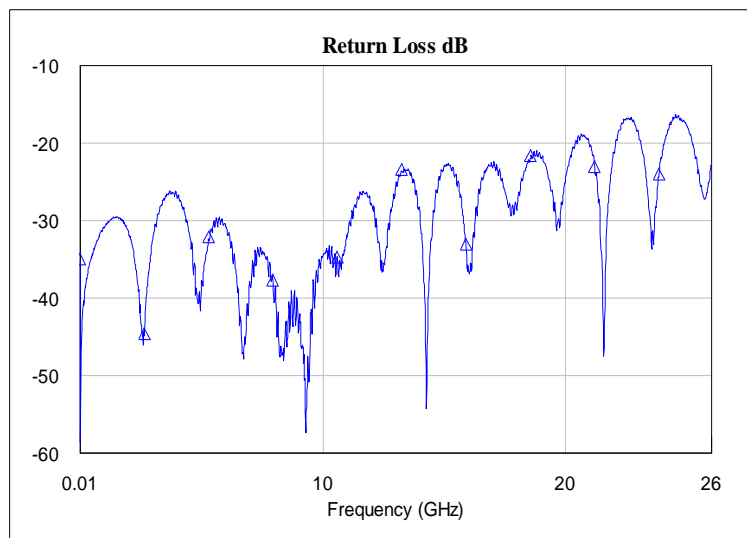
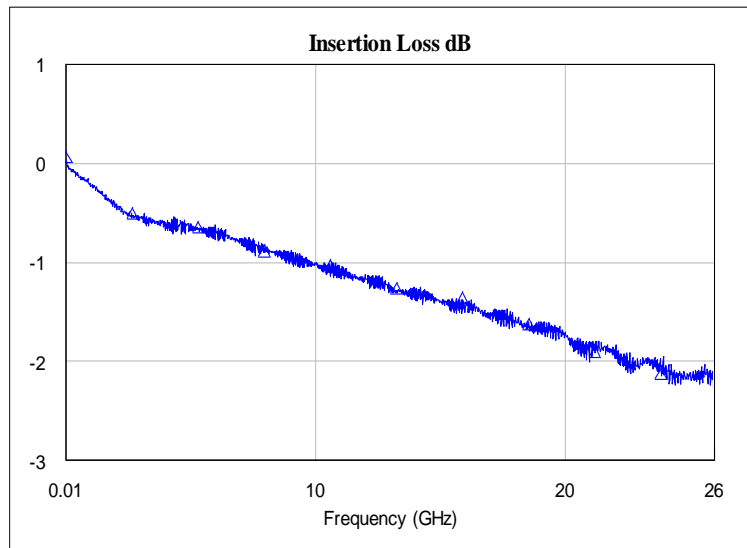
## SPECIFICATIONS

MODEL NUMBER	EPC-SMA-ENL-01-XXX
Frequency Range	DC - 26 GHz
VSWR	1.20:1
IMPEDANCE	50 $\Omega$
TEMPERATURE RANGE	-40°C TO +125°C
BODY	GOLD PLATED BRASS
CENTER CONDUCTOR	GOLD PLATED BERYLLIUM COPPE
DIELECTRIC	TEFLON
DURABILITY	500 MATING CYCLE

# SMA END LAUNCH CONNECTORS

## TYPICAL RF PERFORMANCE (S21 AND S11 TO 26 GHZ)

Typical measured data for two back to back connectors mounted on a 1.5 inches long 10 MIL Rogers RO4350B eval board.



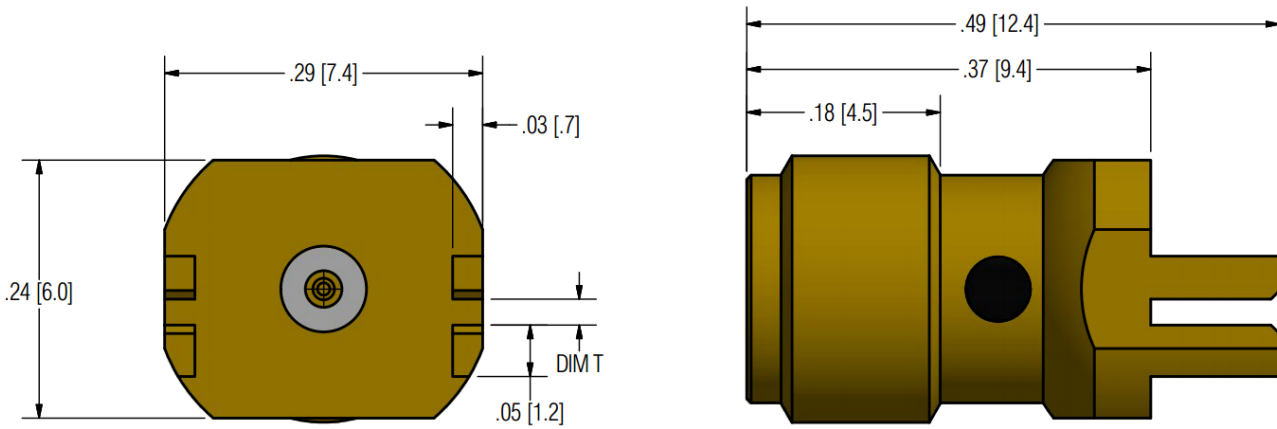
# SMA END LAUNCH CONNECTORS

Dc -26GHz

REV 1.0.0

## ORDERING INFORMATION

**EPC** - **SMA** - **ENL** - **001** - **XXX**  
 PRODUCT CODE                      CONNECTOR TYPE                      SERIES                      DIM T



DIM T	XXX
.024 [0.6]	001
.031 [0.8]	002
.039 [1.0]	003
.047 [1.2]	004
.063 [1.6]	005
.067 [1.7]	006
.083 [2.1]	007
.091 [2.3]	008